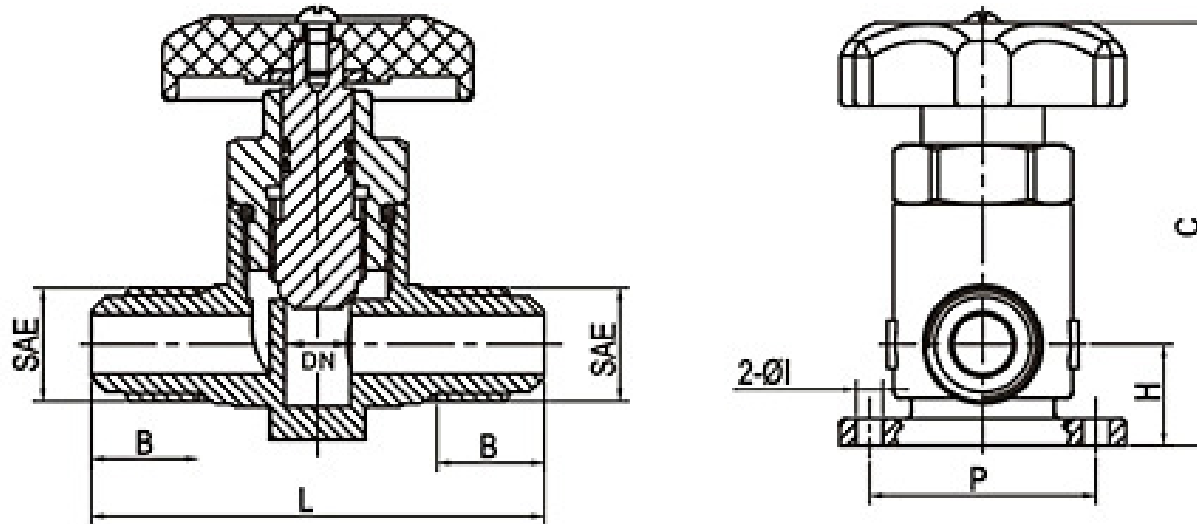


Hand Valves

SAE 45° Flare



SPECIFICATION

Model	SAE mm	DN mm	B mm	H mm	P mm	ØI mm	L mm	C mm
CHV01	1/4"	Ø5	13.5	12	38	Ø4.5	62	57.5
CHV02	3/8"	Ø12	17.5	17			75	71
CHV03	1/2"		18				76	
CHV04	5/8"	Ø16	18	24	50	Ø5.5	78	
CHV05	3/4"		18				93	

Note:

1. The maximum working air pressure: 4.5Mpa, hydraulic pressure: 6.8Mpa;
2. Suitable medium: R22、 R502、 R407c、 R410a、 R134a、 R404a、 R600a etc. refrigerants and other refrigerating oil;
3. Suitable temperature: -40℃ ~ 140℃;
4. Unless otherwise specified standard on: GB/T 7245-1994.