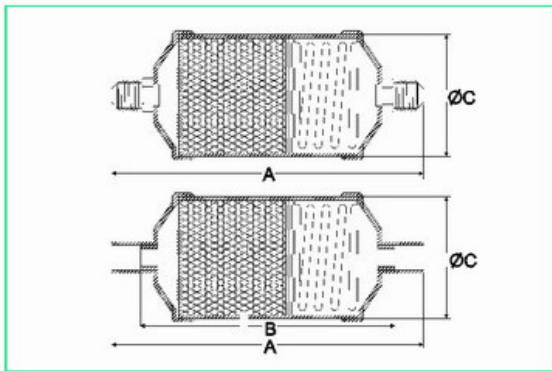




SEK Molecular Sieve Liquid Line Filter Drier

The drier filters adopt a composition design of drying and filtration, and take gas medium, effectively preventing filtration and soluble substances from entering the key positions of the refrigeration system, in order to secure an operation under the best condition.



Feature:

1. The automatic compressing device makes it possible to automatically fill in the worn molecules
2. Capable of dissolving pollutants such as moisture and acid
3. Motion of pads won't cause vibration
4. Filtration before drying
5. Corrosion resistant painting
6. Joint type: ODF and SAE
7. Maximum working pressure: 4.70Mpa/680Psig

TYPE	CONNECTIONS (IN)		LIQUID FLOW CAPACITY(TONS)						A(IN)	B(IN)	C(IN)
	ODF	SAE	R134a	R12	R22 R-410a	R407c	R404a R-507	R502			
SEK-032	1/4	1/4	1.61	2.09	2.21	2.12	1.45	1.45	4.38	3.13	1.63
SEK-032S		2.21	2.72	2.88	2.88	1.98	1.98	3.83			
SEK-033	3/8	3/8	2.51	3.01	3.32	3.22	2.22	2.12	4.67	3.18	
SEK-033S		2.51	3.01	3.32	3.22	2.22	2.12	4.06			
SEK-052	1/4	1/4	1.72	2.12	2.32	2.22	1.52	1.52	4.81	3.69	2.5
SEK-052S		2.72	3.32	3.62	3.52	2.42	2.31	4.44			
SEK-053	3/8	3/8	2.91	3.53	3.85	3.69	2.54	2.54	5.13	3.36	
SEK-053S		3.62	4.41	4.78	4.68	3.23	3.13	4.50			
SEK-082	1/4	1/4	1.89	2.31	2.28	2.45	1.69	1.58	5.63	4.50	2.5
SEK-082S		2.55	3.12	3.46	3.34	2.23	2.23	5.25			
SEK083	3/8	3/8	3.33	4.01	4.35	4.36	2.94	2.84	5.94	4.44	
SEK-083S		3.76	4.66	4.88	4.78	3.29	3.19	5.31			
SEK-084	1/2	1/2	5.56	6.75	7.32	7.13	4.96	4.76	6.19	4.38	
SEK-084S		5.88	7.12	7.74	7.55	5.12	5.07	5.38			
SEK-162	1/4	1/4	1.98	2.36	2.57	2.44	1.72	1.63	6.56	5.25	2.5
SEK-162S		2.55	3.12	3.45	3.32	2.19	2.19	6.19			
SEK-163	3/8	3/8	3.19	3.88	4.25	4.11	2.78	2.71	6.88	5.38	
SEK-163S		3.61	4.41	4.79	4.77	3.16	3.13	6.25			
SEK-164	1/2	1/2	5.88	7.14	7.81	7.77	5.23	5.12	7.06	5.31	
SEK-164S		7.10	8.50	9.22	9.01	6.21	6.02	6.31			
SEK-165	5/8	5/8	8.02	9.71	10.45	10.32	7.01	6.82	7.50	8.13	
SEK-165S		8.32	10.12	10.94	10.77	7.32	7.12	6.56			
SEK-167S	7/8	7/8	12.78	15.56	16.87	16.54	11.26	10.92	7.13	5.63	
SEK-303		3/8	3/8	3.61	4.34	4.71	4.61	3.16	3.11		9.63
SEK-303S	5.23	6.36	6.87	6.78	4.63	4.45	9.00				
SEK-304	1/2	1/2	6.64	8.13	8.89	8.64	5.92	5.71	9.88	8.06	
SEK-304S		8.78	10.62	11.52	11.36	7.74	7.53	9.06			
SEK-305	5/8	5/8	8.78	10.89	11.56	11.35	7.74	7.54	10.31	8.06	
SEK-305S		10.32	12.51	13.52	13.33	9.12	8.84	9.31			
SEK-306S	3/4	3/4	12.12	14.84	16.06	15.75	10.71	10.44	9.68	8.43	
SEK-307S		7/8	7/8	13.84	16.84	18.23	19.72	12.23	11.84		9.88
SEK-309S	1-1/8	1-1/8	16.12	19.63	21.25	20.84	14.21	13.84	10.12	8.50	
SEK-413		3/8	3/8	3.59	4.39	4.75	4.65	3.16	3.09		9.75
SEK-414	1/2	1/2	8.55	10.41	11.32	11.15	7.51	7.31	10.00		
SEK-414S		8.95	10.85	11.74	11.52	7.84	7.61	9.90			
SEK-415	5/8	5/8	9.95	12.06	13.05	12.84	8.74	8.54	10.44	8.19	
SEK-415S		13.98	17.02	18.41	18.18	12.30	12.00	9.44			
SEK-417S	7/8	7/8	16.66	20.36	22.01	21.60	14.78	14.35	9.88	8.38	
SEK-419S		1-1/8	1-1/8	22.75	27.78	30.25	29.41	20.14	19.51		10.38
SEK-757S	7/8	7/8	18.25	22.22	24.15	23.65	16.15	15.62	15.43	13.94	
SEK-759S		1-1/8	1-1/8	26.80	32.87	35.41	34.84	23.70	23.01		15.75