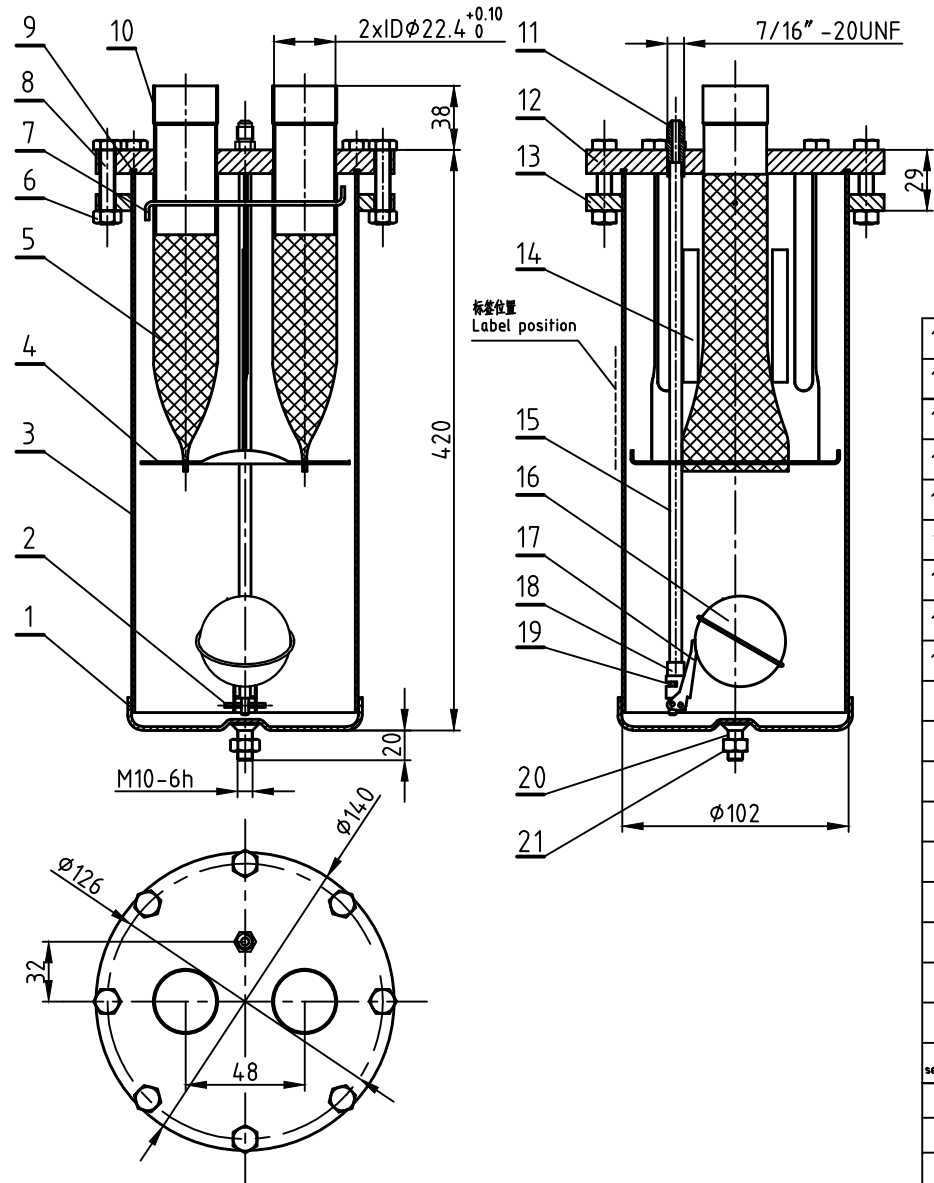


Technical requirement



- 1、 Should be smooth, be free of sharp edge on the shell.
- 2、 Parkering on surface, painting should be black powder, leave 20mm natural from the top of pipe.
- 3、 Keep clean, dry inside. internal product with 0.02-0.05Mpa dry nitrogen, sealed with plug.
- 4、 keep pressure in 3 min, no leak and deformation under air test pressure 35 Bar and proof pressure 44 Bar.
- 5 R22, R410A, R407C.  
To be suitable for R22, R410A, R407C.
- 6、 GB/T 1804-v.  
According to GB/T 1804-v, unless specified.

18	MGW-5303-16	socket	C3771	1	
17	MGW-5303-15	holder	304	1	
16	MGW-5303-14	floater	304	1	
15	MGW-5303-13	oil return pipe	20	1	
14	MGW-5303-12	Baffle	DC01	1	
13	MGW-5303-11	Flange ring	Q235A	1	
12	MGW-5303-10	Flange Plate	Q235A	1	
11	MGW-5303-09	oil return pipe connector	20	1	7/16"-20UNF
10	MGW-5303-08	inlet/out connection pipe	TP2Y2	2	
9	MGW-5303-07	Gasket	PTFE	1	
8	GB/T 5780-2000	Bolt	20	8	M8X40
7	MGW-5303-06	long pin	304	1	φ2.5
6	GB/T 6170-2000	hexagon nut	Q235A	8	M8
5	MGW-5303-05	strainer	201	2	40目/英寸 40 mesh/inch
4	MGW-5303-04	Block	DC01	1	
3	MGW-5303-03	shell	Q235B	1	φ102X2.5
2	MGW-5303-02	short pin	304	2	φ2.5
1	MGW-5303-01	down cover	DC01	1	T=2.5

21	GB/T 6170-2000	hexagon nut	Q235A	1	M10
20	GB/T 819-2000	lock nut	20	1	M10X20
19	MGW-5303-17	needle	304	1	
serial no	Model no	Name	Material	Qty	Remark

serial no	Model no	Name	Material	Qty	Remark
					Oil separator
					MGW-5303-00