



SPECIFICATIONS OF COMPRESSOR

Model No: C-SBP120H15A

Output : 3.5HP



Temporary

DALIAN SANYO COMPRESSOR Co.,Ltd.
SANYO Electric Co.,Ltd.

17-Feb-09

GENERAL SPECIFICATIONS

0

Model No:		C-SBP120H15A
Application		
Evaporating Temp Range	(°C)	-15.0 ~ 12.0
Refrigerant		R410A
Compressor Cooling		Natural Cooling
Rated Performance		
Capacity	(W)	10000
Input	(W)	3600
Current	(A)	16.9
Revolution	(min ⁻¹)	2921
Sound Level	(dB(A))	
Rating Conditions		
Power Source		1-PH 50Hz 220V,230V,240V
Evaporating Temp	(°C)	7.2
Condensing Temp	(°C)	54.4
Suction Gas Temp	(°C)	18.3
Liquid Temp	(°C)	46.1
Ambient Temp	(°C)	35.0
Measuring Point of Sound Level		
Distance from the Compressor	(m)	1.0
Compressor		
Design		Hermetic Scroll
Displacement	(cm ³)	39.8
Suction Line Connection	(Φ mm OD)	22.22
Discharge Line Connection	(Φ mm OD)	12.7
Oil	(ml)	1400 (FV68S)
Mass(Incl.Oil)	(kg)	40
Motor		
Type		1-PH Induction Motor(PSC)
Pole		2
Rated Power Source		1-PH 50Hz 220V,230V,240V
Voltage Range	(V)	198-264
Starting Current	(A)	116.8
Running Capacitor	(μ F)	70

DALIAN SANYO COMPRESSOR Co.,Ltd.
SANYO Electric Co.,Ltd.

PERFORMANCE DATA

Compressor Model	C-SBP120H15A
Power Source	1 – PH 50Hz 220V
Suction Gas Superheat(K)	11.1
Sub Cooling(K)	8.3
Compressor Cooling	Natural Cooling
Refrigerant	R410A

CAPACITY(W)

Condensing Temperature(°C)	Evaporating Temperature(°C)							
	-15	-10	-6.7	0	4.4	7.2	10	12
35.0	5,880	7,090	8,020	10,290	12,130	13,460	14,940	16,100
40.5	5,320	6,430	7,290	9,420	11,140	12,390	13,780	14,880
45.0	4,890	5,940	6,750	8,750	10,370	11,560	12,890	13,930
50.0	4,450	5,430	6,180	8,050	9,580	10,710	11,960	12,940
54.4		5,010	5,720	7,490	8,940	10,000	11,190	12,130
60.0			5,190	6,830	8,180	9,170	10,290	11,170
65.0				6,290	7,560	8,500	9,560	10,390

POWER(W)

Condensing Temperature(°C)	Evaporating Temperature(°C)							
	-15	-10	-6.7	0	4.4	7.2	10	12
35.0	2,360	2,370	2,370	2,360	2,340	2,320	2,300	2,280
40.5	2,660	2,670	2,670	2,660	2,630	2,610	2,590	2,570
45.0	2,950	2,960	2,960	2,940	2,920	2,900	2,870	2,850
50.0	3,320	3,320	3,320	3,290	3,270	3,250	3,230	3,210
54.4		3,680	3,670	3,640	3,620	3,600	3,580	3,560
60.0			4,170	4,140	4,110	4,090	4,070	4,060
65.0				4,620	4,600	4,580	4,560	4,550

CURRENT(A)

@220V

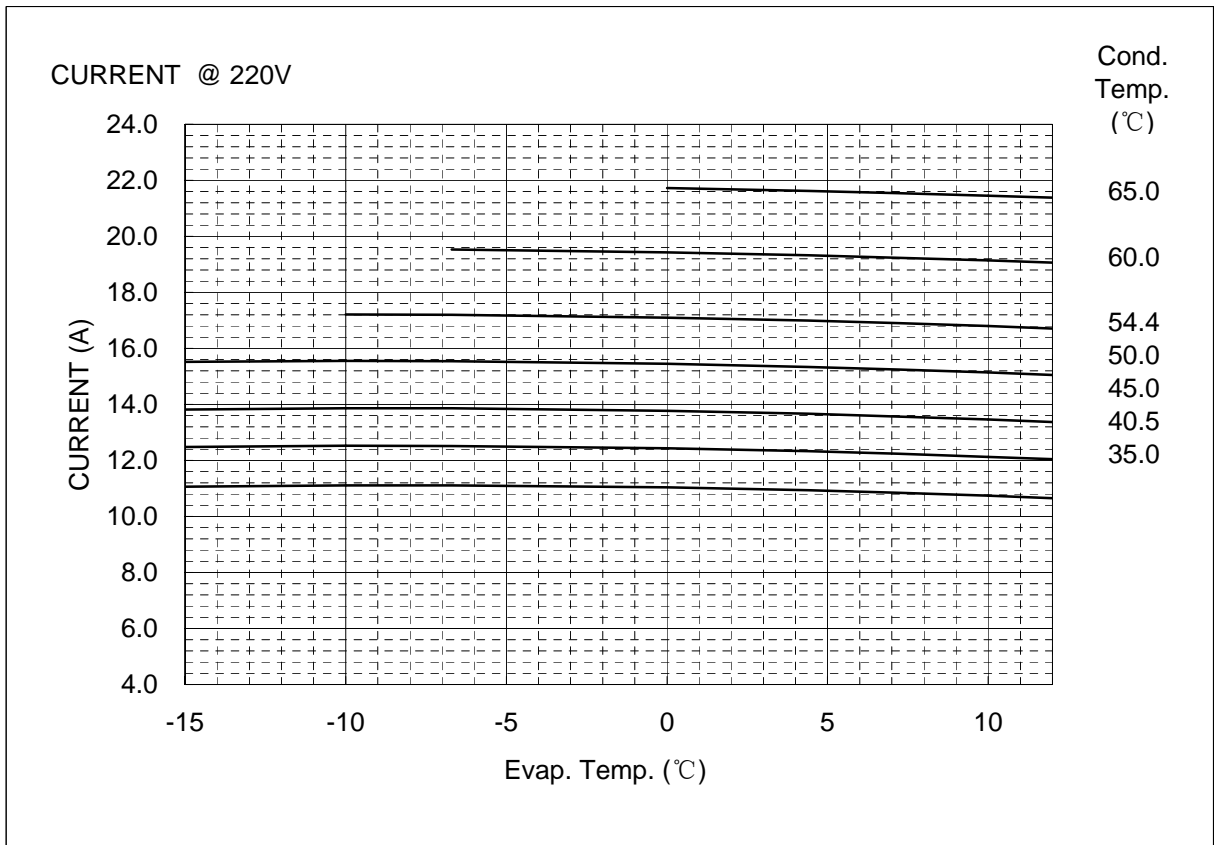
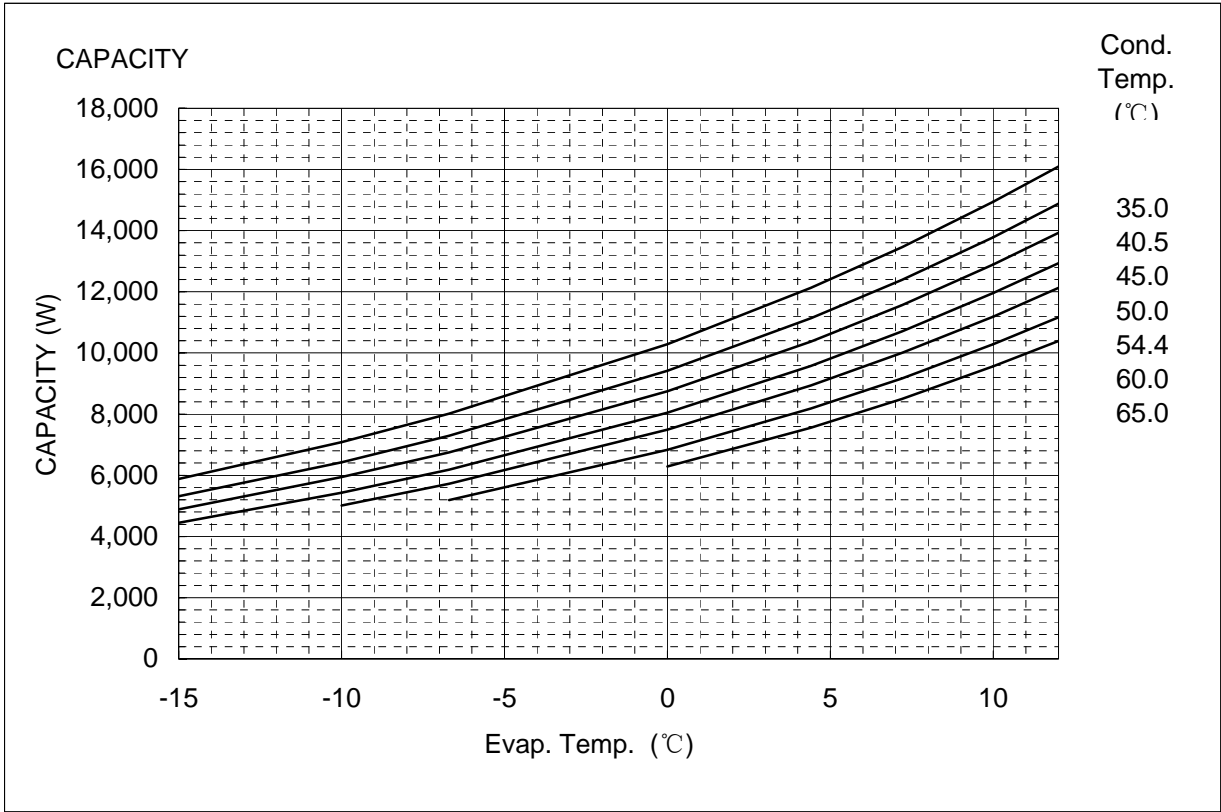
Condensing Temperature(°C)	Evaporating Temperature(°C)							
	-15	-10	-6.7	0	4.4	7.2	10	12
35.0	11.1	11.1	11.1	11.0	10.9	10.8	10.7	10.6
40.5	12.5	12.5	12.5	12.4	12.3	12.2	12.1	12.0
45.0	13.8	13.9	13.9	13.8	13.7	13.6	13.5	13.4
50.0	15.5	15.5	15.5	15.5	15.3	15.2	15.1	15.1
54.4		17.2	17.2	17.1	17.0	16.9	16.8	16.7
60.0			19.5	19.4	19.3	19.2	19.1	19.1
65.0				21.7	21.6	21.5	21.5	21.4

NOTE:

* The performance values subject to change without notice.

Compressor Model(Code)
Power Source

C-SBP120H15A
1-PH 50Hz 220V



COEFFICIENTS OF PERFORMANCE CURVES

Compressor Model	C-SBP120H15A
Power Source	1—PH 50Hz 220V
Suction Gas Superheat(K)	11.1
Sub Cooling(K)	8.3
Compressor Cooling	Natural Cooling
Refrigerant	R410A

$$X=C1+C2*(S)+C3*D+C4*(S^2)+C5*(S*D)+C6*(D^2)+C7*(S^3)+C8*(D*S^2)+C9*(S*D^2) +C10*(D^3)$$

X—CAPACITY(W) OR POWER(W) OR CURRENT(A) OR FLOW(kg/h)

S—EVAPORATING TEMP, °C

D—CONDENSING TEMP, °C

<u>220V-50Hz</u>	CAPACITY (W)	POWER (W)	CURRENT (A)
C1	1.737317E+04	1.740391E+03	8.066294E+00
C2	5.793920E+02	-7.607036E-01	-4.406571E-03
C3	-2.396505E+02	-1.336428E+01	-6.116550E-02
C4	9.280243E+00	-4.920475E-01	-1.556101E-03
C5	-6.371071E+00	-9.934708E-02	-6.239481E-04
C6	1.064126E+00	8.884891E-01	4.176369E-03
C7	8.314985E-02	5.489049E-04	1.864708E-06
C8	-5.678070E-02	6.136442E-03	1.050918E-05
C9	2.295467E-02	3.973557E-04	5.986843E-06
C10	1.270184E-08	-9.713930E-09	-8.546169E-12

Note:The polynomial coefficients subject to change without notice.

Panasonic

No. : C-SBP120H15A-00-GGS-0

APPROVAL SHEET SPECIFICATIONS OF HERMETIC SCROLL COMPRESSOR

MODEL	C-SBP120H15A
-------	--------------

△					
△					
△					
△					
△					
NO.	DATE	PAGE	REVISION DETAILS	PAPCDL SIGNED	CLIENT SIGNED

REVISION RECORD

USER:

MANUFACTURER:

Panasonic Appliances Compressor (Dalian) Co., Ltd.

LEADER	PURCHASING MANAGER	TECHNICAL MANAGER	APPROVED	CHECKED	SUBMITTED

Model: C-SBP120H15A

File No: C-SBP120H15A-00-GGS-0

Section 1. General Specifications

Content		Unit	Specification
Compressor Model		—	C-SBP120H15A
Type		—	Hermetic Scroll Compressor
Application		—	High Back Pressure
Evap. Temp. Range		°C (°F)	-15~12 (5~54)
Compressor Cooling Type		—	Natural Cooling
Power Source	Phase	—	1
	Rated Voltage	V	220-240
	Rated Frequency	Hz	50
Voltage Range		V	198-264
Weight (Including Oil)		kg (lb)	38(83.8)
Refrigerant		—	R410A
Oil Type		—	FV68S or Equivalent
Oil Charge		ml (fl oz)	1400 (47.3)
Displacement		cm ³ (in ³) /rev	39.92(2.44)
Motor	Motor Type	—	1-PH Induction Motor (PSC)
	Number of Poles	—	2
	Electrical Insulation	Class	E
	Nominal Revolution	min ⁻¹	2900
	Locked Rotor Ampere	A	112
	Winding Resistance [at 25°C (77°F)]	Ω	C-S 0.843 C-R 0.506
Connection Tube	Suction Line (O.D.)	mm (in)	22.2 (0.875)
	Discharge Line (O.D.)	mm (in)	12.7 (0.500)
Compressor Surface Paint		—	Black Paint

Notes

- 1 Voltage range is applied at standard rating conditions.
- 2 Motor specifications in the table are the average values for your reference.
- 3 (): All units with parentheses are reference values.

Expiration of Specification

Expiration of this specification shall be effected until issuing a notice with indication of the expiration date from the issued date . In case of improvement or elimination of this specification , it shall be handled by the revision record based on agreement between both sides.

Model: C-SBP120H15A
File No: C-SBP120H15A-00-GGS-0

Section 2. Performance Warranty

2.1 Performance

Power Source (1PH)	Hz	50	50	Remark
	V	220	240	
Capacity	W	9950	9900	±5%
	(BTU/hr)	33949.4	33778.8	reference
Input Power	W	3600	3650	±5%
Current	A	16.9	16.3	±5%

Standard Rating Conditions

Condensing Temp.	°C (°F)	54.4(130)
Evaporating Temp.	°C (°F)	7.2(45)
Suction Gas Temp.	°C (°F)	18.3(65)
Liquid Temp.	°C (°F)	46.1(115)
Ambient Temp.	°C (°F)	35(95)

2.2 Sound Level

Power Source (1PH)	Hz	50
	V	220
Sound Level	dB(A)	58Max.

Notes

- 1 The operating conditions are the same as 2.1.
- 2 MIC location is the distance of 1m (3.28feet) from the compressor.
- 3 Sound Level is an average sound pressure level in four directions.

2.3 Minimum Starting Voltage

Power Source (1PH)	Hz	50
Minimum Starting Voltage	V	198

Conditions

Compressor Temp.	°C (°F)	10~60(50~140)
Ambient Temp.	°C (°F)	10~40(50~105)
High Pressure	MPa(G)/psig	2.0(290)
Low Pressure	MPa(G)/psig	2.0(290)

2.4 Others

Content	Unit	Specification
Design Pressure	L.P. S.	MPa(G)/psig
	H. P. S.	MPa(G)/psig
Insulation Resistance	MΩ	100 (without refrigerant)
Dielectric Strength	V	1800 (1 second)
Residual Moisture	mg	300

Note:

1. The insulation resistance be measured with a DC500V megohm tester.

Model: C-SBP120H15A

File No: C-SBP120H15A-00-GGS-0

Section 3. Standard Accessories

3.1 Accessories List

Parts Name	Qty	Parts code	Revision No.	Note
Terminal Box Cover	1	A-0101-DSB	0	Installed on Compressor
Terminal Box Clip	1	A-0201-DSB	0	Installed on Compressor
Eyelet Rub Lead Wire	1	A-0301-DSB	0	Installed on Compressor
Mounting Grommet	4	M-0101-DSB	0	Included with Compressor
Mounting Sleeve	4	M-0201-DSB	0	Included with Compressor
Screw Special	1	B-0101-DSB	0	Installed on Compressor

3.2 The Drawing for Reference

Parts Name	Parts Code	Revision No.
Compressor Outline Drawing	D-0101-DSB	0
Mounting Parts Listing	M-5101-DSB	0
Packing Dimensions	D-0202-DSB	0
Wiring Diagram	E-0915-DSB	0

3.3 Internal Motor Protector (in compressor)

Parts Name	Specification	
Internal Motor Protector	Trip Temperature	145±5℃
	Reset Temperature	80±9℃
	Trip Current	Run Winding 94A / 3~10s
		Start Winding 43A / 3~9s

3.4 Electrical Component Required but not Included with compressor

Parts Name	Specification
Running Capacitor	70μF 440V

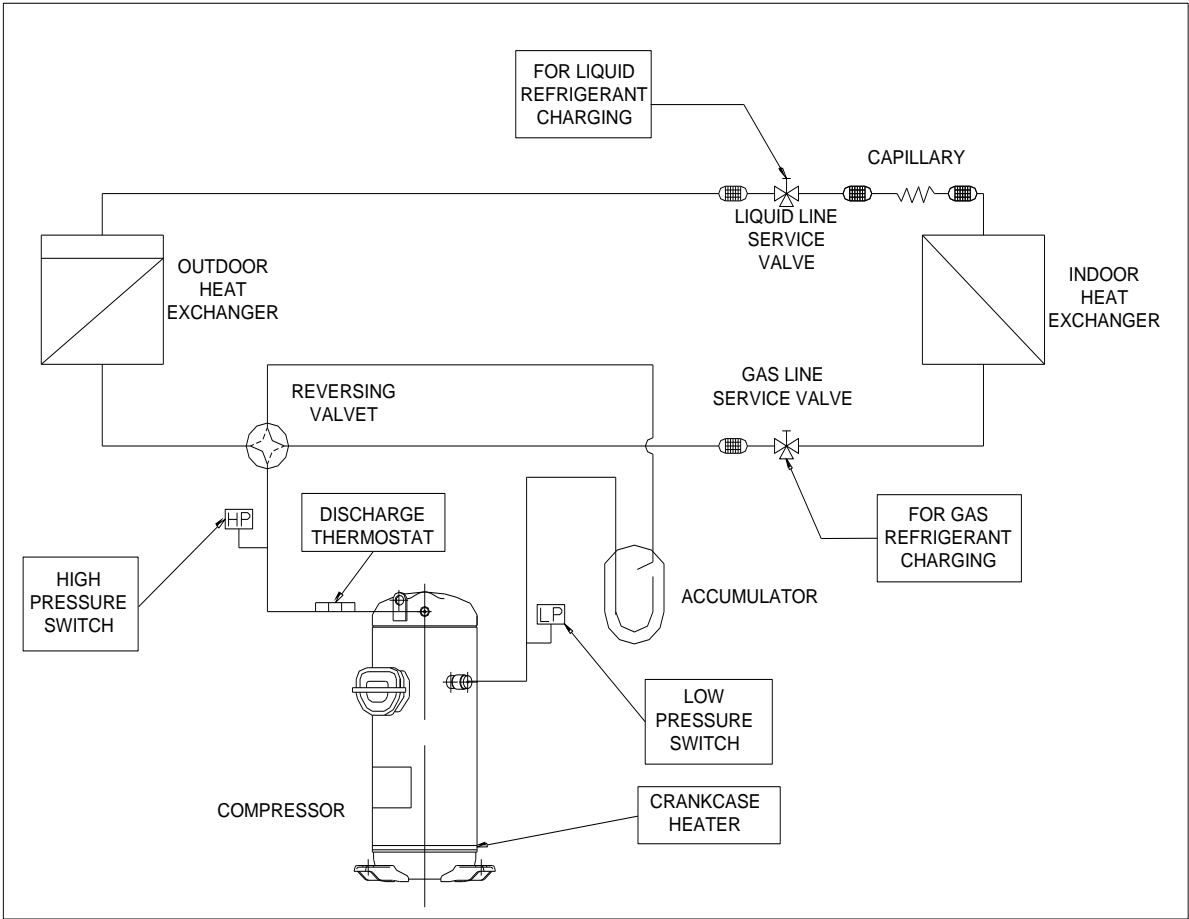
Note: The protection class of running capacitor should be class P2 of IEC 60252-1.

Section 4. Compressor Protection

4.1 Protection Required but not Included with compressor

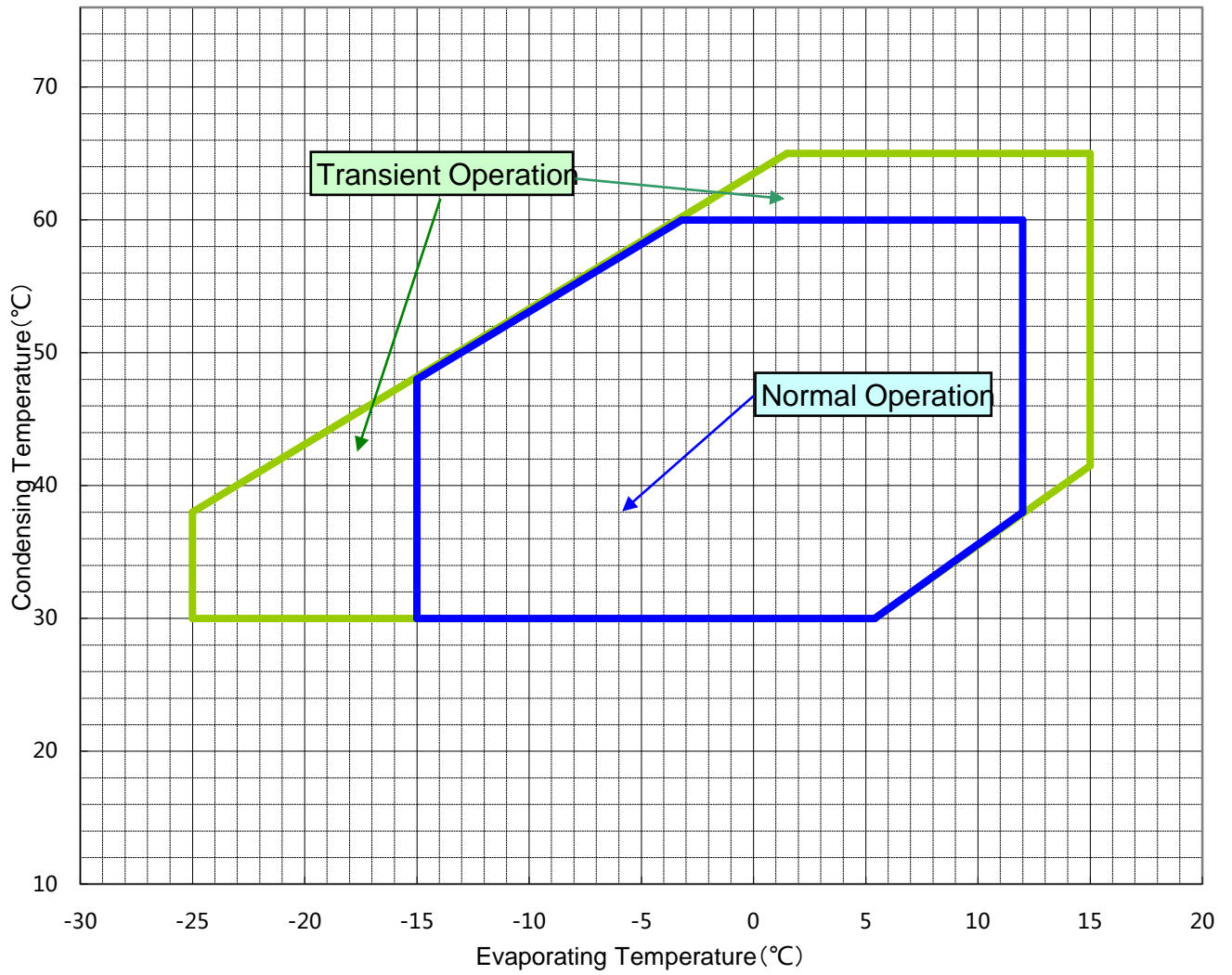
Protection Device	Items	Specifications
Anti-short Cycle Timer	Characteristic	To prevent the reverse rotation caused by brief power interruption
	Setting	3 minutes off / 7 minutes on
Crankcase Heater	Rated Power	35 Watts
Discharge Thermostat	Mounting Position	Located within 100mm(4 in)from the compressor shell
	Trip Temperature	130±5°C(266 ±10 °F)
	Reset Temperature	95±11°C (205 ± 20 °F)
High Pressure Switch	Setting	Cut-out seting no higher than 4.15MPa(G)
Low Pressure Switch	Setting	Cut-out seting no lower than 0.15MPa(G)

4.2 Position of the Protection and Refrigerant Charging



Section 5. Operating Envelope

Suction Gas Superheating : 11.1K.
Refrigerant : R410A.



Section 6. Application Standard & Limit

The following requirements apply to vertical type hermetic scroll compressors:

Standard: Applicable to ordinary conditions in Japan JIS B8616 or standards relative to JIS B8616, such as standard rating conditions, maximum operating conditions, low temperature conditions, etc.

Limit: Applicable to transitional brief period of time, such as start-up and beginning of defrost mode.

No.	Item	Standard	Limit	Note
1	Refrigerant	R410A		
2	Evaporating Temp.	-15~12°C(5~54 ° F) 0.38~1.06MPa(G)(55~154psig)	-25~15°C(-13~59 ° F) 0.23~1.16MPa(G)(33~168psig)	
3	Condensing Temp.	30~60°C(86~140 ° F) 1.80~3.75MPa(G)(261~544psig)	65°C(149 ° F) 4.18MPa(G)(606psig)	
4	Compression Ratio	2 ~ 6	8	
5	Winding Temp.	115°C(240 °F) Max.	125°C(257 °F)	
6	Shell Bottom Temp.	90°C(194 °F) Max.		
		Evaporating Temp.+12°C(21 °F) Min.		
		Ambient Temp.+11°C(20 °F) Min.		
7	Discharge Gas Temp.	115°C(240 °F) Max.	C-SB:130°C(266°F) Max.	
			C-SC:135°C(275°F) Max.	
8	Suction Gas Temp.	Superheat: 5K(10 °F)Min.	No excessive noise	It should meet the requirement of item 5, 6, 7 and 14 within 30cm of the suction fitting.
9	Running Voltage	Within ±10% of the rated voltage		Voltage at compressor terminals.
10	Starting Voltage	Three Phase Models: 85% of the rated voltage min.		Voltage at compressor terminals.
		Single Phase Models: 90% of the rated voltage min.		
11	On/Off Cycling	On Period: Until the oil level returns to the center of the lower bearing Off Period: Until balance of high and low pressure is obtained		For at least 7 minutes - on/3 minutes-off is recommendable.
12	Refrigerant Charge	oil/refrigerant(wt.)≥0.35		Specific gravity of the Oil:0.94
13	Life Time	200,000 cycle		
14	Minimum Oil Level	C-SB: Center of the lower bearing C-SB:Bottom of the lower bearing		
		C-SC:No less than 70% of the initial oil charge		
15	Abnormal Pressure Rise/Drop	Pressure Rise: 4.15MPa(G) (602psig) Max.		By high pressure switch
		Pressure Drop: 0.15MPa(G) (22psig) Min.		By low pressure switch
16	System Moisture Level	200ppm Max.		
17	System Uncondensable Gas Level	1 Vol.% Max. Residual Oxygen 0.1 Vol.% Max.		24 hrs. after vacuuming: 1.01kPa Max.
18	Tilt	5° Deg.Max.		

Operation beyond the above limits must be approved by Panasonic Appliances Compressor (Dalian) Co., Ltd.

(G): Gauge Pressure

Notes

- 1 Installation should be completed within 15 minutes after removing the rubber plugs.
- 2 Do not use the compressor to compress air.
- 3 Do not energize the compressor under vacuumed condition.
- 4 Evacuation and Refrigerant charge : Evacuate internal section in the refrigeration system from high and low pressure sides and charge liquid refrigerant from condenser outlet side. Additional charge shall be done with gas condition from low side.
- 5 Do not tilt over the compressor while carrying it.
- 6 Do not remove the paint.
- 7 Crankcase heater is required when the oil sump temperature is too low to meet the requirement of item 6 on page 7.
- 8 Voltage fluctuation between compressor terminals, during operation, shall be within 2% of the rated voltage.
- 9 Do not operate compressor in reverse rotational direction.
- 10 Suction strainers are recommended for all applications.
- 11 Copper Piping Stress

Start/Shutdown	34.32 N/mm ² Max.
Run	12.26 N/mm ² Max.

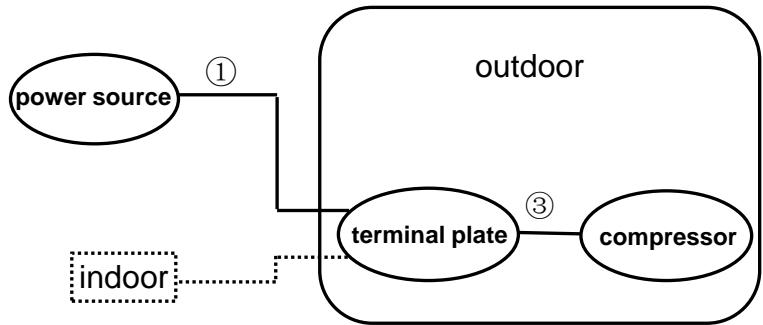
Section 7. Selection of Electrical Wire

Voltage drop may occur due to the large current draw during compressor starting.

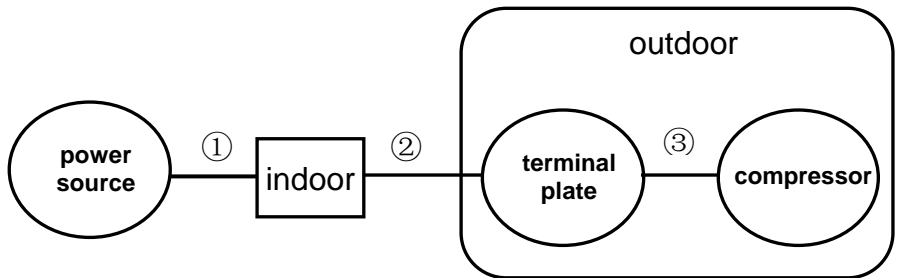
We recommend selecting the wire size from the table below.

7.1 Type of Unit

7.1.1 Window & Commercial Type Unit



7.1.2 Split Type(Separate Type)



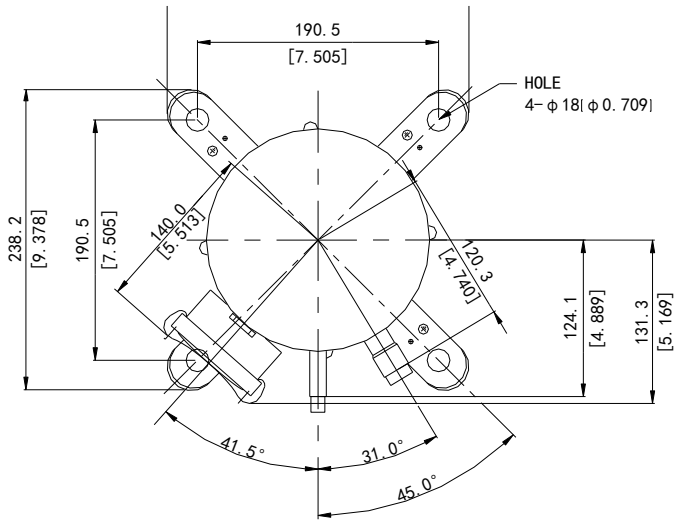
7.2 Size Table of Electrical Wire

Starting current (A)	Size of electrical wire (mm ²)						
	Remark ① or Remark ①+② (heat-resistance Temperature: 60°C(140°F) min.)						Remark③ (heat-resistance Temperature: 120°C(248°F) min.)
	5m max.	10m max.	15m max.	20m max.	30m max.	50m max.	1m max.
20max.	2.0	2.0	2.0	3.5	5.5	8.0	2.0
30max.	↑	↑	3.5	5.5	↑	14.0	↑
40max.	↑	3.5	5.5	↑	8.0	↑	↑
50max.	↑	↑	↑	8.0	14.0	22.0	↑
60max.	↑	5.5	↑	↑	↑	↑	↑
70max.	3.5	↑	8.0	14.0	↑	↑	3.5
80max.	↑	↑	↑	↑	22.0	30.0	↑
90max.	↑	↑	14.0	↑	↑	↑	↑
100max.	↑	8.0	↑	↑	↑	38.0	↑
110max.	↑	↑	↑	↑	↑	↑	↑
120max.	5.5	↑	↑	22.0	30.0	↑	↑
140max.	↑	14.0	↑	↑	↑	50.0	5.5
160max.	↑	↑	22.0	↑	↑	↑	↑
180max.	↑	↑	↑	↑	38.0	60.0	8.0
200max.	8.0	↑	↑	30.0	↑	↑	↑
220max.	↑	↑	↑	↑	50.0	80.0	↑
240max.	↑	↑	↑	↑	↑	↑	14.0

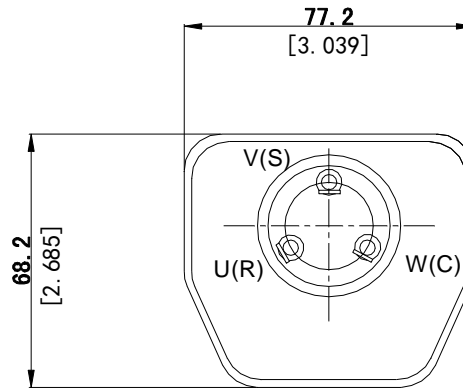
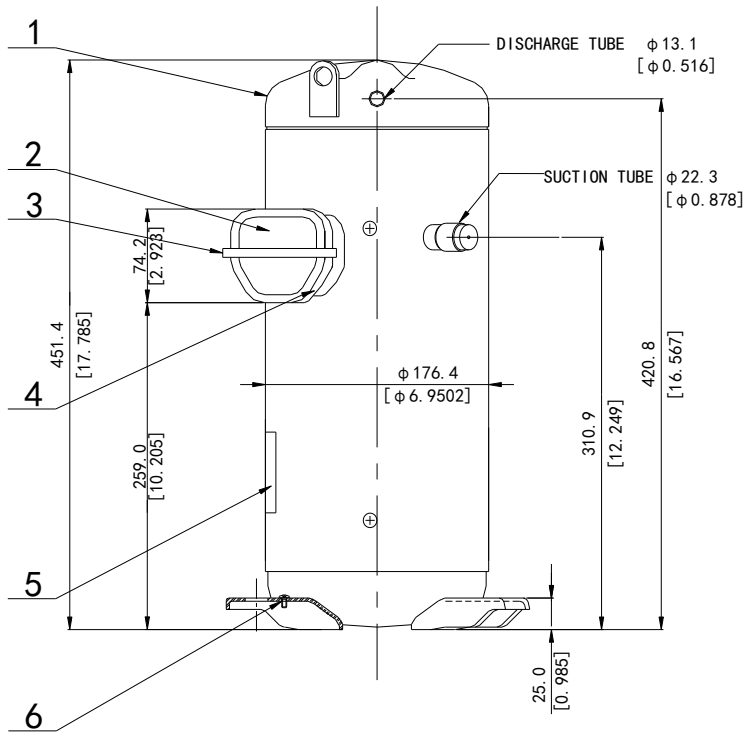
7.3 Caution of Ground

The internal motor protector does not protect the compressor against all possible conditions.

Please be sure that the system utilizes the ground connection when installed in the field.



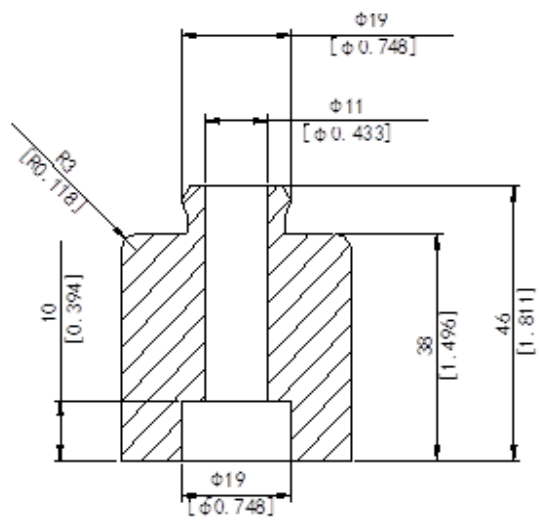
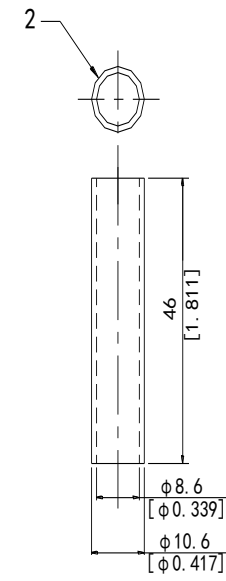
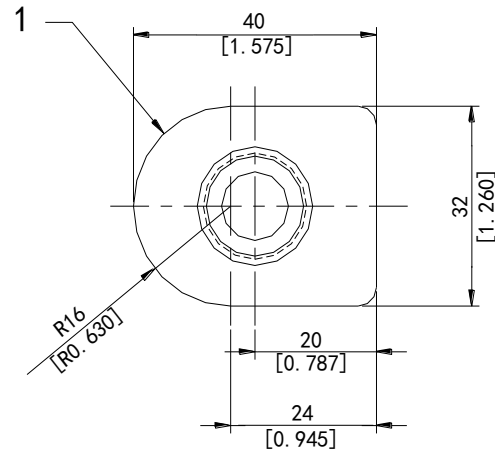
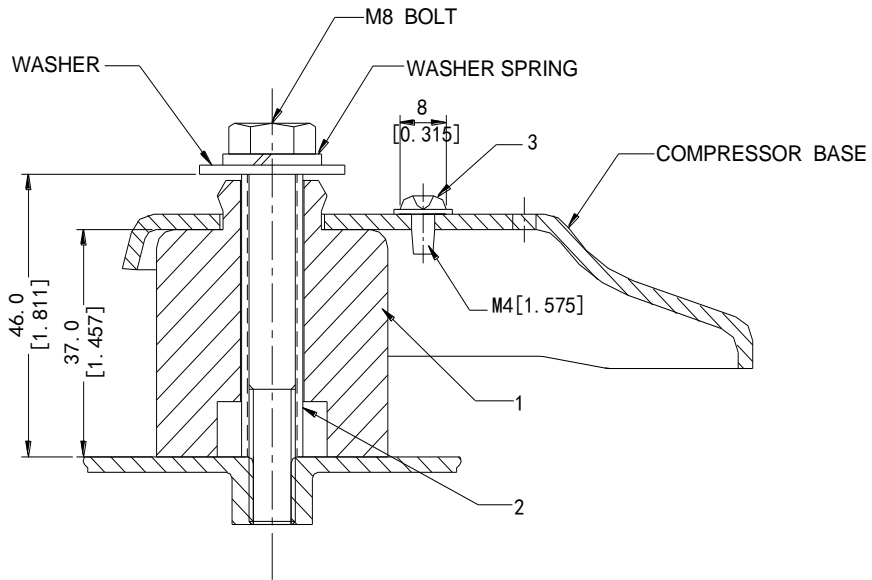
No.	Part Code	Qty	Name
1	C-SBP120H15A	1	Compressor
2	A-0101-DSB	1	Terminal Box Cover
3	A-0201-DSB	1	Terminal Box Clip
4	A-0301-DSB	1	Eyelet Rub Lead Wire
5		1	Nameplate
6	B-0101-DSB	1	Screw Special



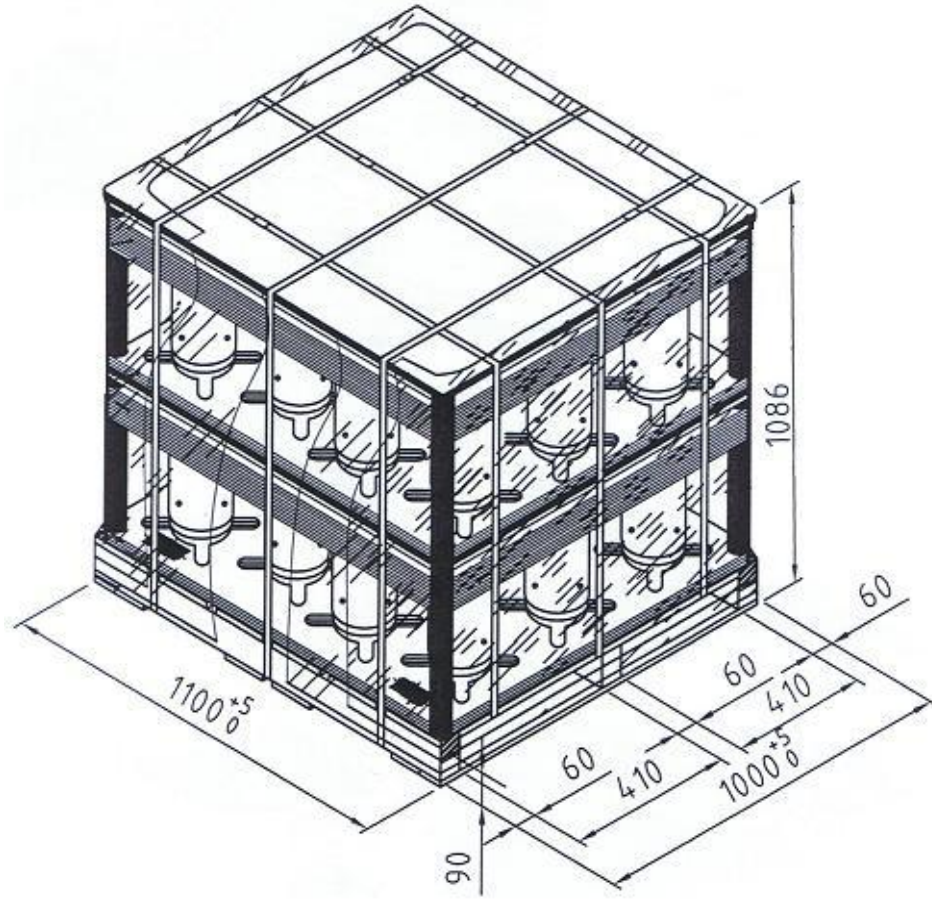
TERMINAL

Part Code
D-0101-DSB
Name
Compressor Outline Drawing

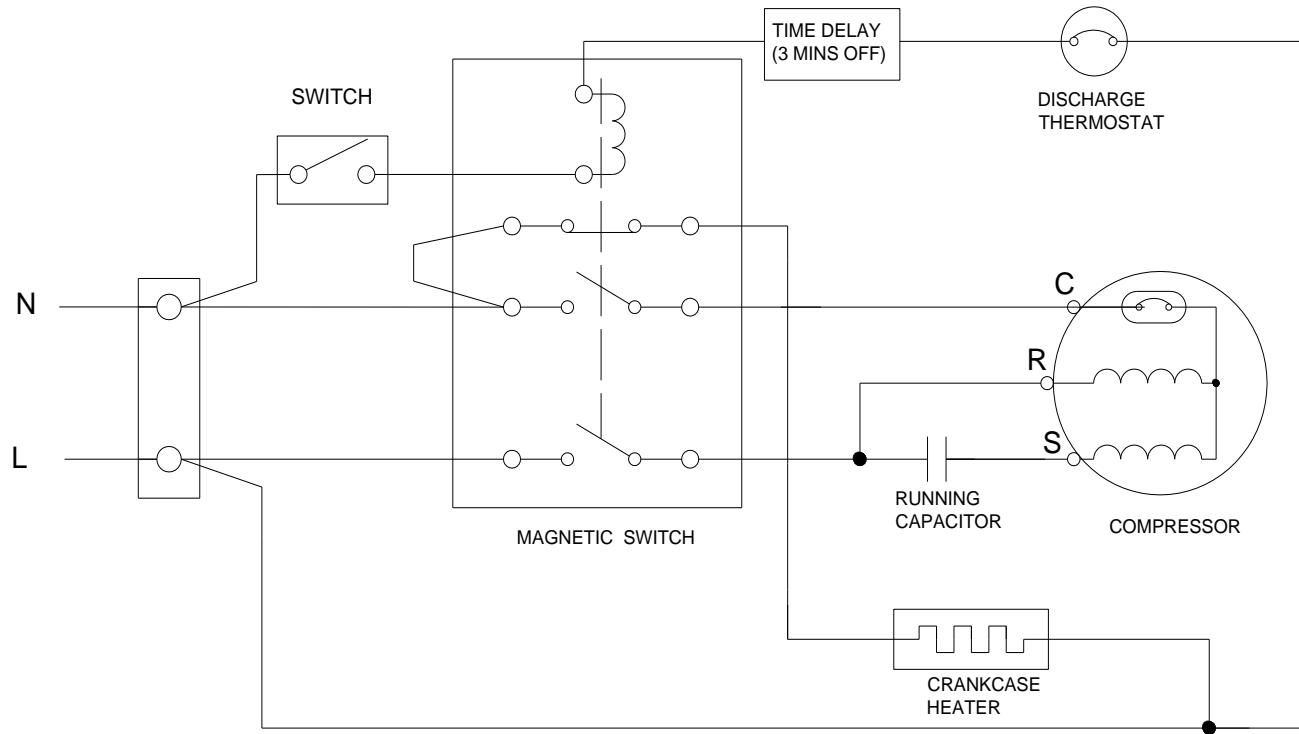
No.	Part	QTY	Name
1	M-0101-DSB	4	Mounting Grommet
2	M-0201-DSB	4	Mounting Sleeve
3	B-0101-DSB	1	Screw Special



Part Code
M-5101-DSB
Name
Mounting Parts Listing



Part Code
D-0202-DSB
Name
Packing Dimensions



Part Code
E-0915-DSB
Name
Wiring Diagram