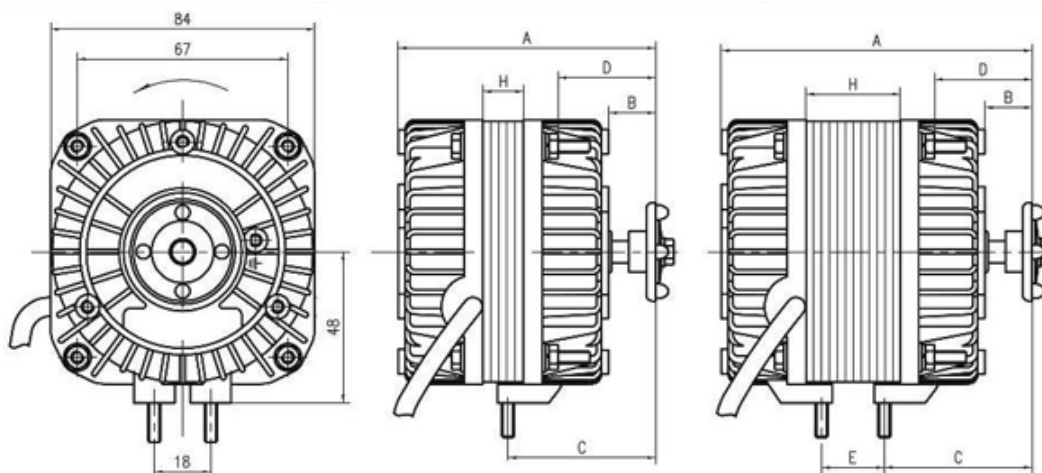
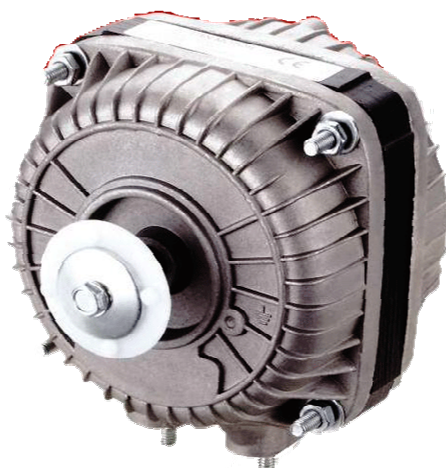




Motor forzador para Refrigeración Comercial.

Modelo N5/13 (para pala 200mm)



| Modelo | Voltaje | Freq. | Pot.entrada | Pot.salida | Consumo | RPM | A(mm) | B(mm) | C(mm) | D(mm) | Para Pala |
|--------|----------|---------|-------------|------------|---------|-----------|-------|-------|-------|-------|-----------|
| N5/13 | 220/240V | 50/60Hz | 33W | 5W | 0.2 Amp | 1330/1550 | 81 | 14 | 46 | 30 | 200mm |