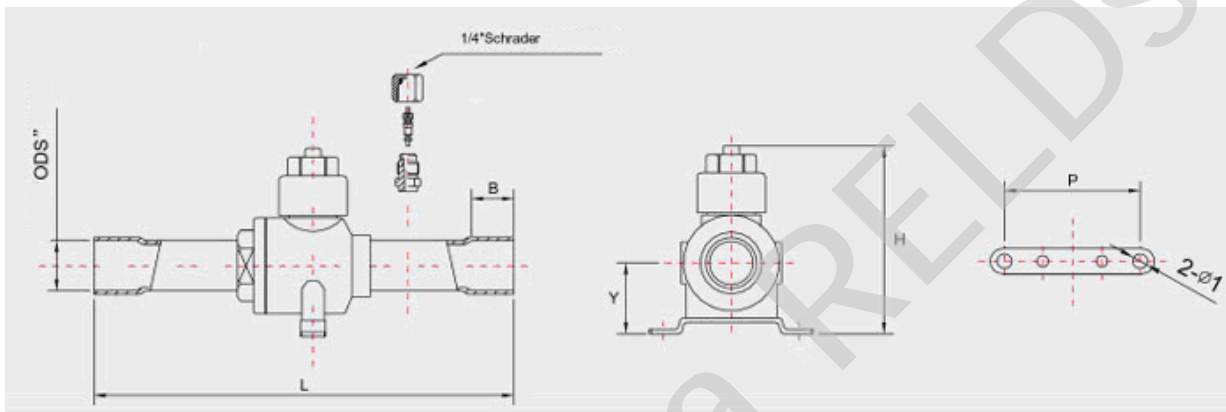


RELD sa - Valvulas Esfericas



Dimensiones Valvulas Esfericas SH Series



Modelo		ODS Conexion		B	H	L	Y	P	I
		Pulg.	MM						
SH-17202	SH-17402	1/4	6.5	8	55	112	19	38.5	4.5
SH-17203	SH-17403	3/8	9.6	10	55	125	19	38.5	4.5
SH-17204	SH-17404	1/2	12.8	10	58	128	20	43.5	4.5
SH-17205	SH-17405	5/8	16.0	12	67	150	24	47.5	5.5
SH-17206	SH-17406	3/4	19.0	15	74	165	28	52	5.5
SH-17207	SH-17407	7/8	19.2	20	83	190	31	59.5	6.5
SH-17209	SH-17409	1-1/8	28.6	20	95	210	35	69.5	6.5
SH-17211	SH-17411	1-3/8	35.0	25	100	245	35	----	----
SH-17213	SH-17413	1-5/8	42.0	25	124	280	46	----	----
SH-17217	SH-17417	2-1/8	54.0	30	135	320	51	----	----
SH-17221	SH-17421	2-5/8	67.0	35	160	380	65	----	----
SH-17225	SH-17425	3-1/8	79.4	40	210	420	85	----	----
SH-17233	SH-17433	4-1/8	104.8	40	260	430	110	----	----