

SRT02EA ELECTRONIC THERMOSTAT

DESCRIPTION

SRT02EA electronic thermostats are mainly used in central air-conditioning and cooling/heating system, it can keep suitable temperature according to the set temperature point.



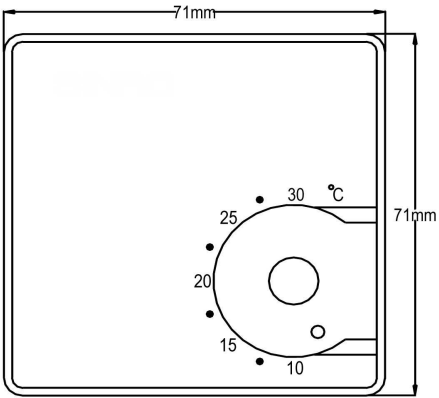
CHARACTERISTICS

- Super small design, simple and lively
- Suitable for internal or external sensor
- Use high quality components, accurately temperature control and stable
- Flexible installation: wall-mounted, embedded, embedded in plate or concealed

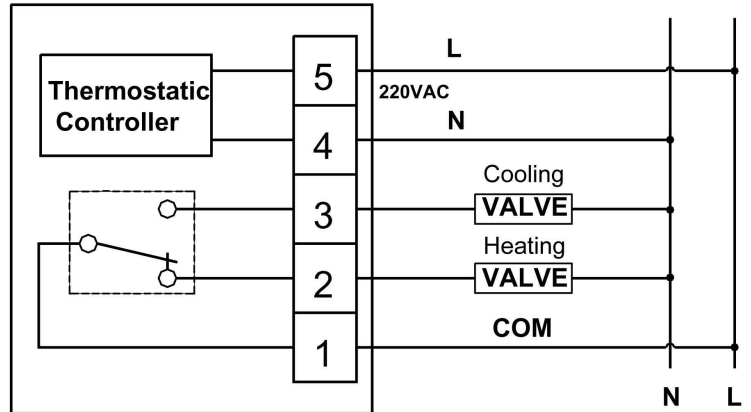
SPECIFICATIONS AND TECHNICAL DATA

| | |
|-----------------------------|--|
| PRODUCT NAME | SRT02EA Electronic thermostat |
| FUNCTION | Relay output to control motor and motorized valve |
| USE | Used in temperature control in heating / cooling air-conditioning system |
| POWER SUPPLY | 220V AC $\pm 10\%$, 50/60 Hz |
| OUTPUT SIGNAL | Relay output (1A/250V) on/off signal |
| CONSUMPTION | 5VA without load |
| SENSITIVE ELEMENT | NTC thermistor |
| PRECISION | $\pm 0.5^{\circ}\text{C}$ |
| WIRING | Terminal connection, 1.5mm ² wiring screws |
| HOUSING | Fire-proof ABS engineering plastic |
| WORKING ENVIRONMENTAL RANGE | 0 ~ +50 $^{\circ}\text{C}$ and 10 ~ 90% RH non-condensation |
| STORAGE TEMPERATURE RANGE | -40 ~ +70 $^{\circ}\text{C}$ |
| NET WEIGHT | 70g |

DIMENSIONS



WIRING DIAGRAM



INSTALLATION DIAGRAM

