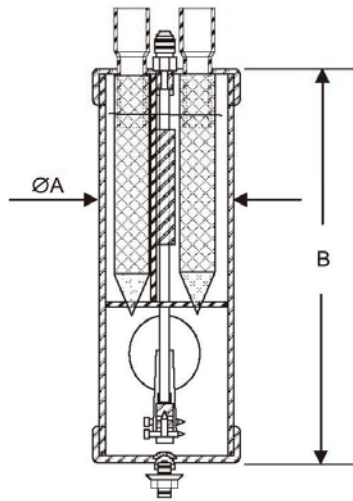


**SPLY**  
**SPLY AIR-CONDITIONING OIL SEPARATOR**



The oil separator is capable of separating the oil from the refrigerating gas mixture so as to improve the performance of refrigerating air conditioning system and save energy. Its function enters the inlet of the oil separator from the compressor refrigerant and oil mixture. This mixture flows through a filter and a baffle device, making the oil particles aggregate and drop to the bottom of the oil separator. The refrigerant gas will go through the outlet, and enter the condenser under oil-less status when the filter separates the remaining oil particles from the gas. The oil of the refrigerant aggregates at the bottom of the oil separator, and a needle valve operated by a floating ball is opened to let oil return to the compressor. Since the pressure of the oil separator is higher than the pressure of the crankcase, the oil can quickly return to the compressor. When the oil level drops, the needle valve is closed to prevent the refrigerant gas from returning to the compressor. The oil separator system is mostly installed in the multiple compressor racks of supermarkets and air conditioning, system with long refrigerant lines, system with problems of internal oil return, ultra-temperature system and system using HCFC, HFC and relative lubricants.

◆ **Feature:**

- ⊙ Hermetical construction with steel oil-return system(1/4 or 3/8" SAE connection)
- ⊙ Dependable shut-off system of floating valve
- ⊙ Solid copper connection
- ⊙ Anti-corrosive spurting model
- ⊙ For a variety of refrigerant R-12, R-134a, R-22, R-404A, R-407C, R-410A, R-500, R-502, R-507
- ⊙ Maximum operating pressure: 3.5Mpa/500Psig, With the UL and CE certification

◆ **Specification:**

MODEL	CONNECTION ODF (IN)	VALVE BODY SIZE		REFRIGERATION CAPACITY(TONE) UNDER THE APPOINTED TEMPERATURE								RELATIVE TYPE
		A(IN)	B(IN)	R12		R22/R407C		R502		R134a		
				-40" f	+40" f	-40" f	+40" f	-40" f	+40" f	-40" f	+40" f	
SPLY-55824	1/2	4	10.75	1	1-1/2	1-1/2	2	1-1/2	2	1	1-3/4	SPLY-5201
SPLY-55855	5/8	4	14.25	3	4	4-1/2	5-1/2	4-3/4	5-3/4	3-1/4	4-1/2	SPLY-5202
SPLY-55877	7/8	4	17.75	4-1/4	5-1/2	7	8	7-1/2	8-1/2	4-3/4	6-1/2	SPLY-5203
SPLY-55889	1-1/8	4	21	6	7-1/2	9	11	9-1/2	11-1/2	6-1/2	8-1/2	SPLY-5204
SPLY-559011	1-3/8	4	21.25	7-1/2	10	11-1/2	14	12	14-1/2	8	11-1/3	SPLY-5205
SPLY-559213	1-5/8	4	22	9	11-1/2	14	18	16	17-1/2	9-1/2	13-1/4	SPLY-5206
SPLY-569011	1-3/8	6	15.75	9	12	13	14	15	20	9-1/2	13-3/4	SPLY-6203
SPLY-569213	1-5/8	6	19	11	14	16	18	20	24	11-3/4	16	SPLY-6204
SPLY-569417	2-1/8	6	19.5	17	22	25	30	30	35	18	25-1/4	SPLY-6205