

Technical Data Sheet

Compressor model **GLY90AAa**
 Voltage **220-240V 50Hz ~1**
 Refrigerant **R134a**

APPLICATION

Application Low Back Pressure
 Refrigerant R134a
 Evaporating Temp. -35,0 °C to -10,0 °C
 Expansion Capillar
 Comp. Cooling Static
 Max. ambient temp. 43,0 °C
 Compatible refriger. R1234yf

COMPRESSOR

Displacement 9,09 cm³
 Diameter 24,29 mm
 Stroke 19,62 mm
 Net Weight 9,43 Kg
 Oil type ISO VG 32 ESTER
 Oil charge 300 cm³

MOTOR

Nominal Power 1/4 hp
 Voltage/Frequency 220-240V 50Hz
 Voltage range 198-255 V
 Type RSIR
 Phase number 1 PH
 Locked Rotor Amps (LRA) 14,50 A
 Max. Cont. Current (MCC) 1,70 A
 Main W. resist. at 25°C 11,36 Ω
 Start W. resist. at 25°C 15,70 Ω

NOMINAL PERFORMANCE

	ASHRAE	CECOMAF
Cooling Capacity	216 kCal/h	186 W
COP	1,37 W/W	1,07 W/W
EER	1,18 kCal/Wh	0,92 kCal/Wh
Input Power	183 W	174 W
Current	1,24 A	1,21 A

APPROVALS



TEST CYCLE CONDITIONS

	ASHRAE LBP (B)	CECOMAF LBP (A)
Evaporating temp. (T _e)	-23,3 °C	-25,0 °C
Condensing temp. (T _c)	55,0 °C	55,0 °C
Liquid temp. (T _{liq.})	32,0 °C	55,0 °C
Ambient temp. (T _{amb.})	32,0 °C	32,0 °C
Suction temp. (T _{suction})	32,0 °C	32,0 °C
Voltage/Frequency	220 V 50 Hz	220 V 50 Hz

ELECTRICAL COMPONENTS

Relay	Option 1			
Reference	PTC K100			
Voltage	200-240 V			
Resistance	14.00 Ω			
Protector	Option 1	Option 2	Option 3	Option 4
Reference	MRA38085	4TM308NFBYY	T0377	AE11FQ
Current	10,90 A	11,00 A	12,00 A	10,80 A
Time check	7,5-14 seg	5-15 seg	7,5-14 seg	7,5-14 seg
Disc temp. (Open/Close)	125,00 / 61,00 °C	120,00 / 61,00 °C	120,00 / 62,00 °C	125,00 / 62,00 °C

ASHRAE

Tc °C	Te °C	Cooling Capacity kCal/h	Consumption W	Current A	COP W/W	EER kCal/Wh
40	-35	133	126	1,07	1,23	1,06
40	-30	172	148	1,13	1,36	1,17
40	-25	223	170	1,20	1,52	1,31
40	-23,3	243	179	1,22	1,58	1,36
40	-20	285	194	1,28	1,70	1,46
40	-15	357	220	1,38	1,89	1,63
40	-10	441	246	1,49	2,08	1,79

45	-35	125	125	1,07	1,17	1,00
45	-30	164	148	1,13	1,29	1,11
45	-25	214	172	1,20	1,45	1,25
45	-23,3	234	180	1,23	1,51	1,30
45	-20	275	197	1,29	1,63	1,40
45	-15	347	223	1,39	1,81	1,56
45	-10	431	250	1,51	2,00	1,72

50	-35	118	124	1,06	1,10	0,95
50	-30	156	148	1,13	1,23	1,06
50	-25	206	173	1,21	1,38	1,19
50	-23,3	225	182	1,23	1,44	1,24
50	-20	266	199	1,30	1,56	1,34
50	-15	338	226	1,40	1,74	1,49
50	-10	420	255	1,53	1,92	1,65

55	-35	110	123	1,06	1,04	0,89
55	-30	148	148	1,13	1,16	1,00
55	-25	197	174	1,21	1,32	1,13
55	-23,3	216	183	1,24	1,37	1,18
55	-20	257	201	1,31	1,49	1,28
55	-15	328	229	1,42	1,66	1,43
55	-10	410	259	1,55	1,84	1,58

60	-35	102	122	1,06	0,98	0,84
60	-30	140	148	1,13	1,10	0,94
60	-25	188	175	1,21	1,25	1,07
60	-23,3	207	184	1,25	1,31	1,12
60	-20	248	203	1,31	1,42	1,22
60	-15	318	233	1,43	1,59	1,37
60	-10	400	263	1,57	1,77	1,52

65	-35	95	121	1,05	0,91	0,78
65	-30	131	148	1,13	1,03	0,89
65	-25	179	176	1,22	1,18	1,02
65	-23,3	198	186	1,25	1,24	1,07
65	-20	238	205	1,32	1,35	1,16
65	-15	308	236	1,45	1,52	1,31
65	-10	389	268	1,59	1,69	1,45

CECOMAF

Tc °C	Te °C	Cooling Capacity W	Consumption W	Current A	COP W/W	EER kCal/Wh
40	-35	145	126	1,07	1,15	0,99
40	-30	191	148	1,13	1,30	1,12
40	-25	248	170	1,20	1,45	1,26
40	-23,3	270	179	1,22	1,51	1,30
40	-20	315	194	1,28	1,62	1,40
40	-15	392	220	1,38	1,79	1,54
40	-10	480	246	1,49	1,95	1,69

45	-35	131	125	1,07	1,05	0,91
45	-30	174	148	1,13	1,18	1,02
45	-25	227	172	1,20	1,32	1,14
45	-23,3	248	180	1,23	1,38	1,19
45	-20	291	197	1,29	1,48	1,28
45	-15	365	223	1,39	1,64	1,41
45	-10	449	250	1,51	1,79	1,55

50	-35	118	124	1,06	0,95	0,82
50	-30	157	148	1,13	1,06	0,92
50	-25	207	173	1,21	1,20	1,03
50	-23,3	226	182	1,23	1,24	1,08
50	-20	267	199	1,30	1,34	1,16
50	-15	337	226	1,40	1,49	1,29
50	-10	418	255	1,53	1,64	1,42

55	-35	104	123	1,06	0,85	0,73
55	-30	140	148	1,13	0,95	0,82
55	-25	186	174	1,21	1,07	0,92
55	-23,3	204	183	1,24	1,11	0,96
55	-20	242	201	1,31	1,21	1,04
55	-15	309	229	1,42	1,35	1,16
55	-10	387	259	1,55	1,49	1,29

60	-35	90	122	1,06	0,74	0,64
60	-30	123	148	1,13	0,83	0,72
60	-25	165	175	1,21	0,94	0,82
60	-23,3	182	184	1,25	0,99	0,85
60	-20	218	203	1,31	1,07	0,93
60	-15	282	233	1,43	1,21	1,05
60	-10	355	263	1,57	1,35	1,17

65	-35	77	121	1,05	0,63	0,55
65	-30	106	148	1,13	0,71	0,62
65	-25	145	176	1,22	0,82	0,71
65	-23,3	160	186	1,25	0,86	0,74
65	-20	194	205	1,32	0,95	0,82
65	-15	254	236	1,45	1,08	0,93
65	-10	324	268	1,59	1,21	1,05

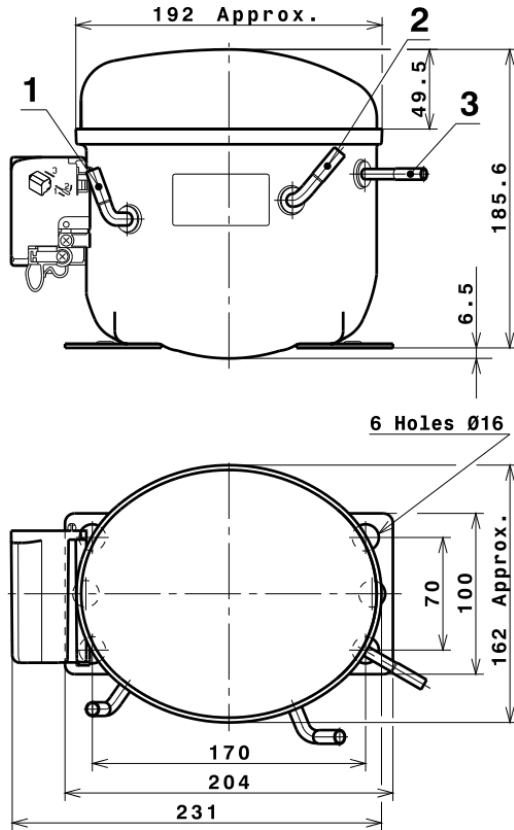
EN12900

X	Cooling Capacity (W)	Consumption (W)	Current (A)	Mass Flow (kg/h)
1	989,0845002201	256,8816875352	1,5708339521	17,564355219069
2	28,1394765550	4,2983289565	0,0253287921	0,56358445556584
3	-7,8453882626	1,3240476037	0,0060189260	-0,054650379917279
4	0,2022850756	0,0248499657	0,0003359270	0,0054790650586658
5	-0,1458238119	0,0436670907	0,0001870891	-0,0005351774297323

Equation	$x_1 + x_2Te + x_3Tc + x_4Te^2 + x_5TeTc$
----------	---

Technical Data Sheet

COMPRESSOR DIMENSIONS

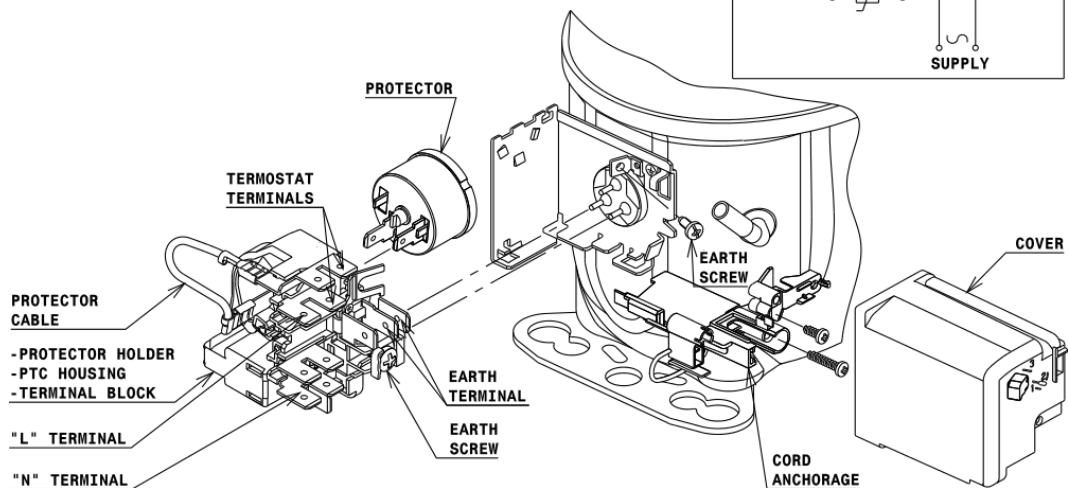
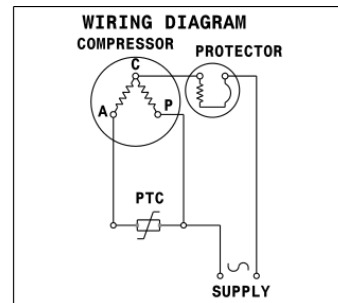


DESIGNATION INTERNAL DIAM.

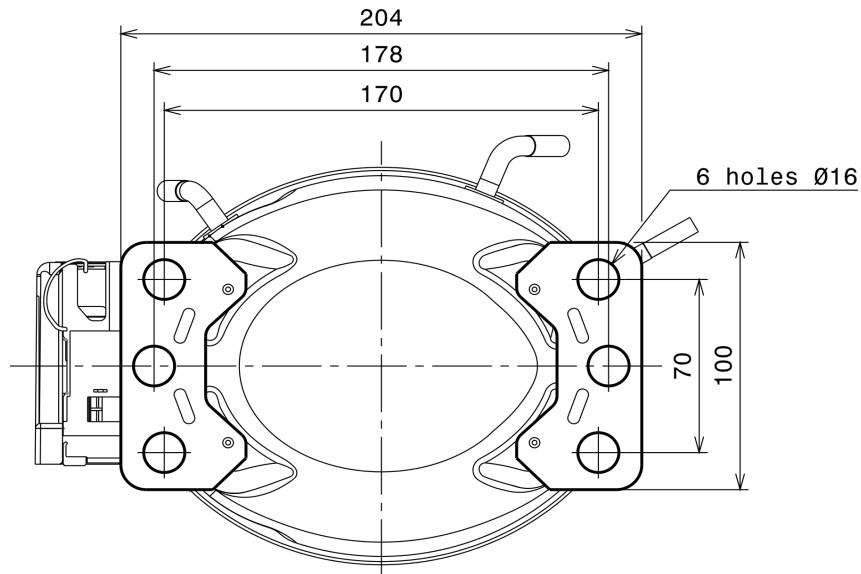
DESIGNATION	INTERNAL DIAM.
1 Suction	6,5 mm
2 Service	6,5 mm
3 Discharge	4,9 mm

WIRING DIAGRAMS AND ELECTRICAL ASSEMBLY

RSIR CONNECTION (PTC) (L, P ranges)



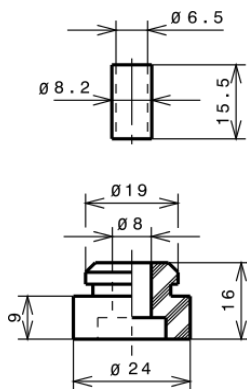
FIXINGS



SILENT BLOCKS (MOUNTING ACCESSORIES)

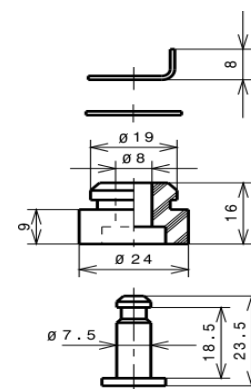
STANDARD

Ø16 holes (170x70 net)



SNAP-ON

Ø16 holes (170x70 net)



SOA

SOA R134a LBP

